

Name _____

EE 2240

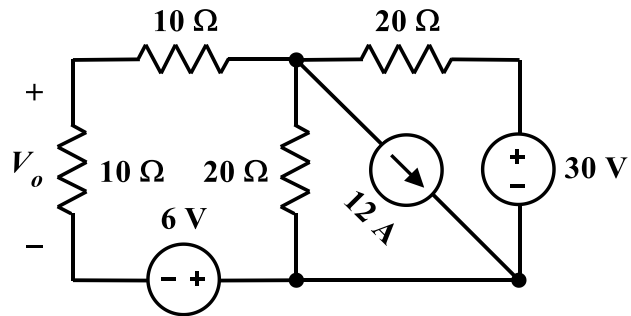
Exam #2

Thursday, October 27, 2016

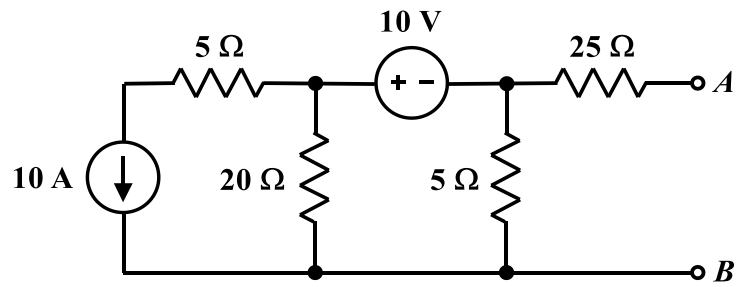
LIBR B32 and TAB 115, 9:30PM – 10:45PM

[closed book – one one-sided 8½”×11” page of notes and calculator allowed, nothing else]

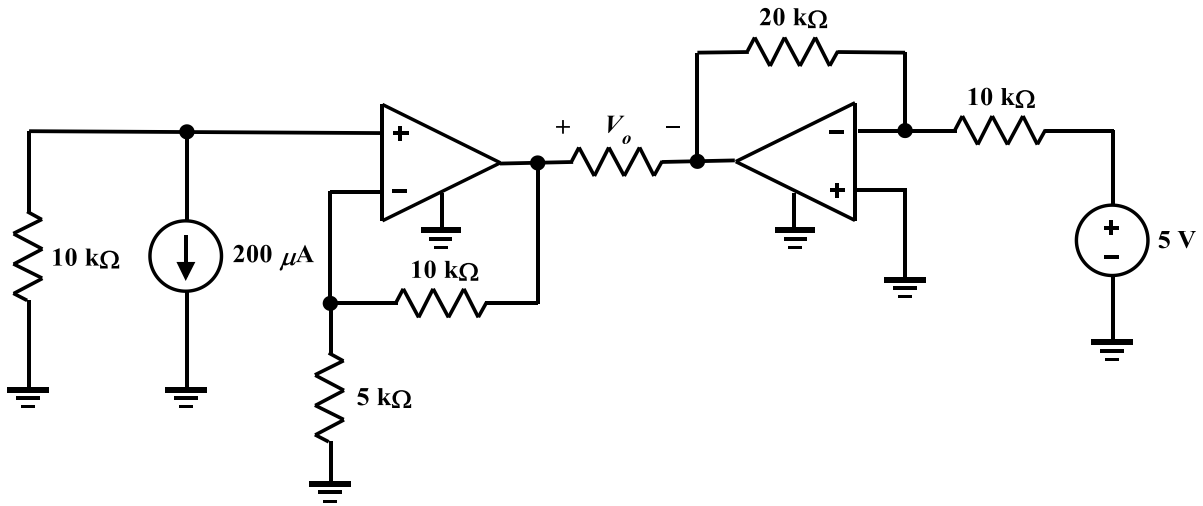
1. Use the *superposition method* to determine the value of V_o .



2. **Find and sketch** the Thévenin equivalent of the circuit shown below with respect to terminals *A* and *B*.



3. The OpAmps are ideal. Determine the value of V_o . *Show your work.*



4. Write the *complete* content of the PSpice “.cir” file you would use to perform a nodal analysis of the circuit shown. *Be sure to show ALL of your node labels and component names on the circuit diagram. Otherwise, you will not receive credit for this problem.*

