

Name \_\_\_\_\_  
By writing or printing my name in the space above, I hereby affirm that I have neither given nor received assistance in preparing solutions for this exam.

EE 2240  
**Exam #2**

Due by 8:00AM, Tuesday, November 9, 2021

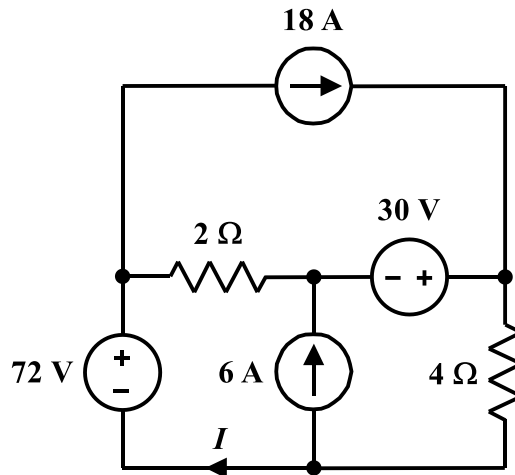
[open book, open notes, calculator and computer allowed – no internet access]

**Work must be neat, orderly, and complete in order to receive partial credit.**

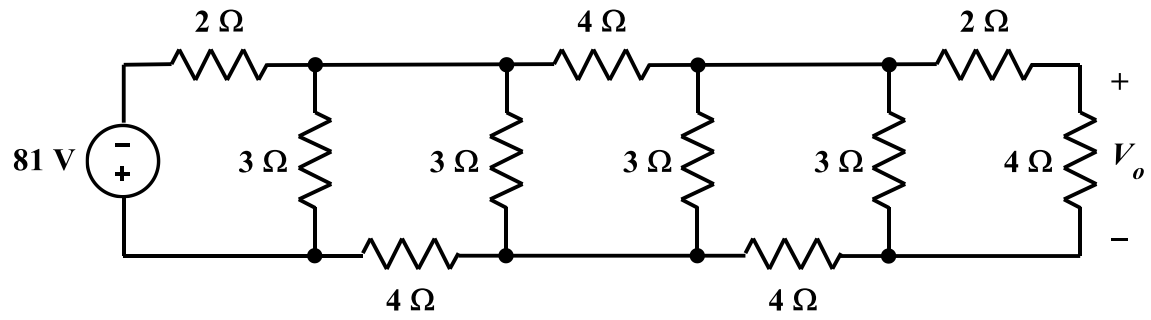
**LTspice solutions are not allowed.**

**PLEASE submit your solutions as a single PDF file.**

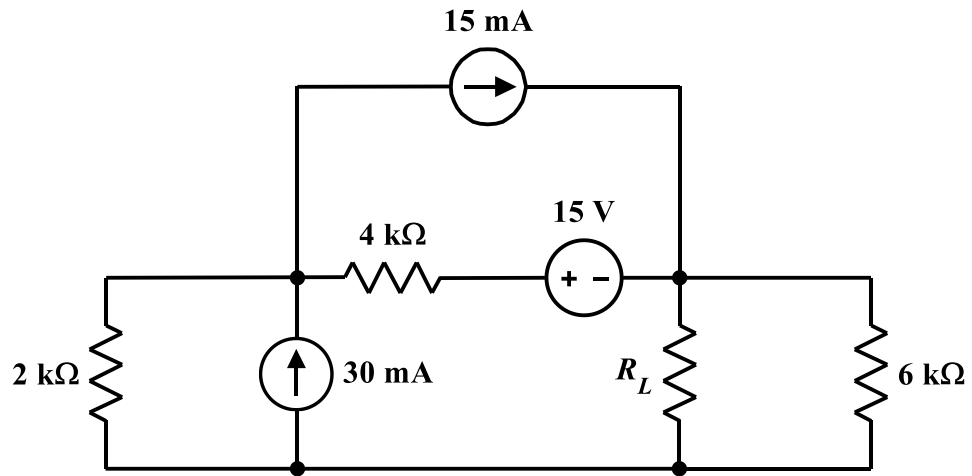
1. Determine the numerical value of the current  $I$ .



2. Determine the numerical value of the voltage  $V_o$ .



3. Determine the value of  $R_L$  that will absorb maximum power from the remainder of the circuit.



4. Determine the numerical value of the voltage  $V_z$ .

