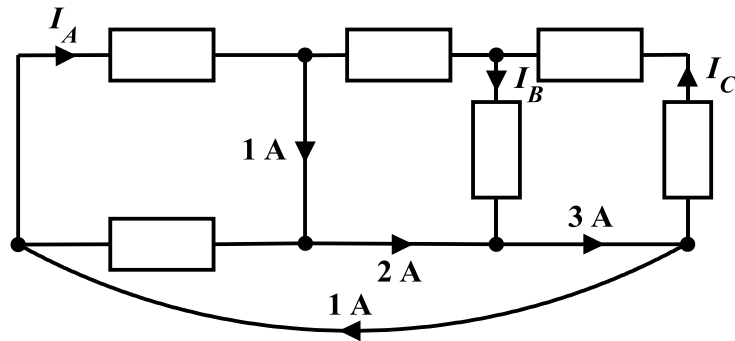


EE 2240  
Homework Problem #002

For the circuit shown below:



- How many nodes does the circuit have?
- How many branches (components) make up the circuit?
- Determine the value of  $I_A$ .
- Determine the value of  $I_B$ .
- Determine the value of  $I_C$ .