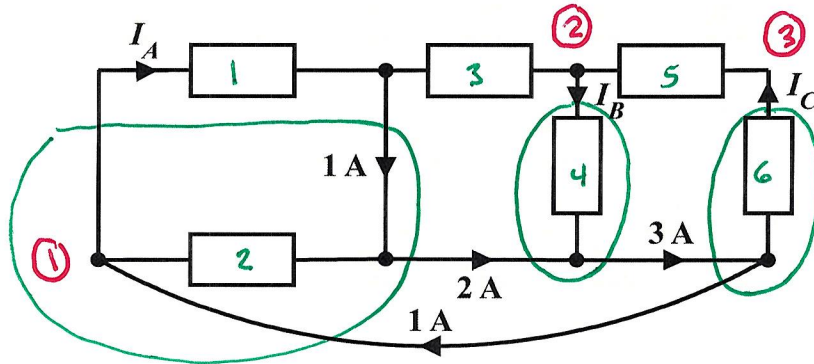


EE 2240
Homework Problem #002

For the circuit shown below:



a. How many nodes does the circuit have?

3

b. How many branches (components) make up the circuit?

6

c. Determine the value of I_A .

$$\sum I_A - 1A + 2A - 1A = 0 \Rightarrow I_A = 0$$

d. Determine the value of I_B .

$$\sum I_B + 2A - 3A = 0 \Rightarrow I_B = 1A$$

e. Determine the value of I_C .

$$\sum I_C - 3A + 1A = 0 \Rightarrow I_C = 2A$$