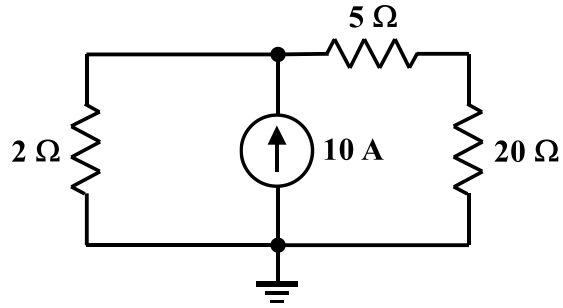


EE 2240
Homework Problem #027

Assign mesh currents and express the mesh equations in the matrix form discussed in class.



Do not attempt to solve the equations.