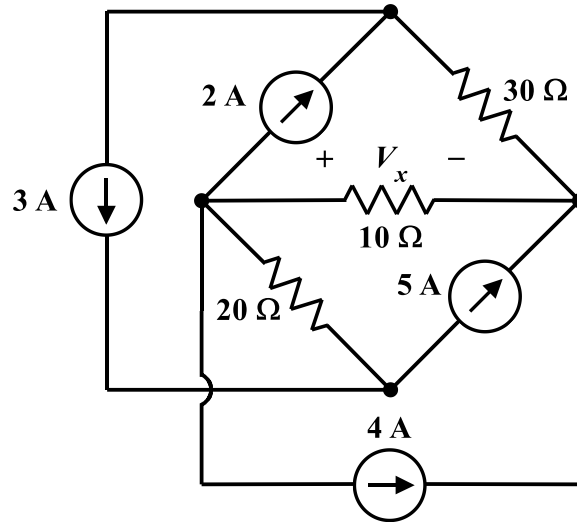


EE 2240
Homework Problem #035



Use the superposition method to determine the value of V_x .