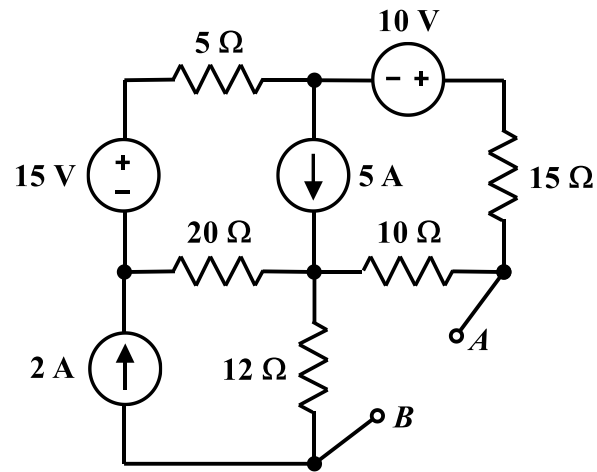


EE 2240
Homework Problem #039



Find the Thévenin equivalent circuit with respect to terminals *A* and *B*.