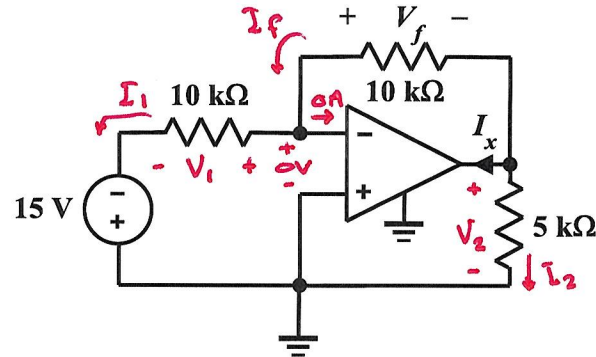


EE 2240
Homework Problem #040



The OpAmp is ideal. Determine:

(a) The value of V_f .

$$V_1 = 0 + 15 = 15 \text{ V}$$

$$I_1 = \frac{V_1}{10 \text{ k}\Omega} = 1.5 \text{ mA}$$

$$I_f = I_1 + 0 = 1.5 \text{ mA}$$

$$V_f = - (10 \text{ k}\Omega) I_f = -15 \text{ V}$$

(b) The value of I_x .

$$V_2 = -V_f + 0 = 15 \text{ V}$$

$$I_2 = \frac{V_2}{5 \text{ k}\Omega} = 3 \text{ mA}$$

$$\begin{aligned} I_x &= -I_f - I_2 \\ &= -1.5 \text{ mA} - 3 \text{ mA} \\ &= -4.5 \text{ mA} \end{aligned}$$