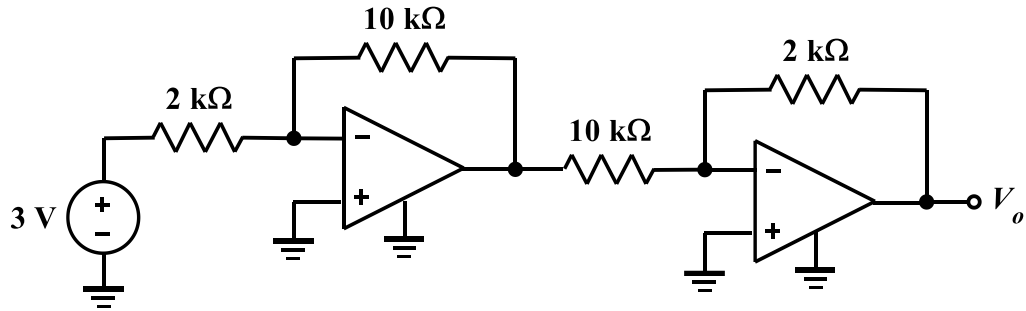


EE 2240
Homework Problem #041



The OpAmps are ideal. Determine the value of V_o .