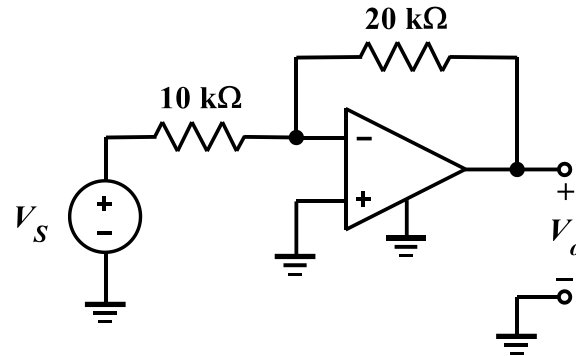


EE 2240
Homework Problem #052



The OpAmp is ideal. If $V_o = 22\text{ V}$, what is the value of V_s ?