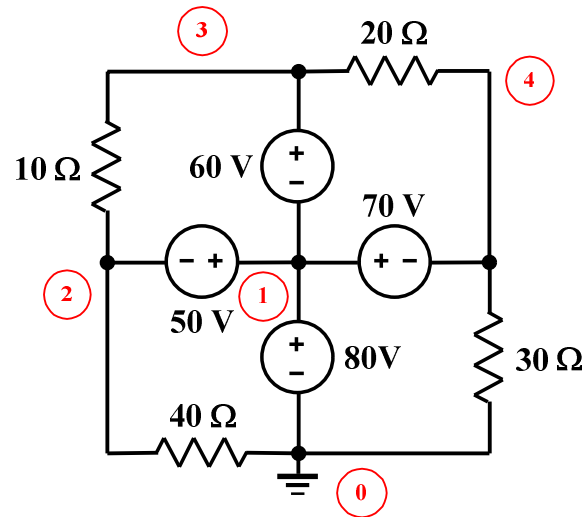


EE 2240
Homework Problem #056

Use LTspice to determine the value of each node voltage.



Submit a printed copy of your netlist and a printed copy of your output. Highlight the required results.