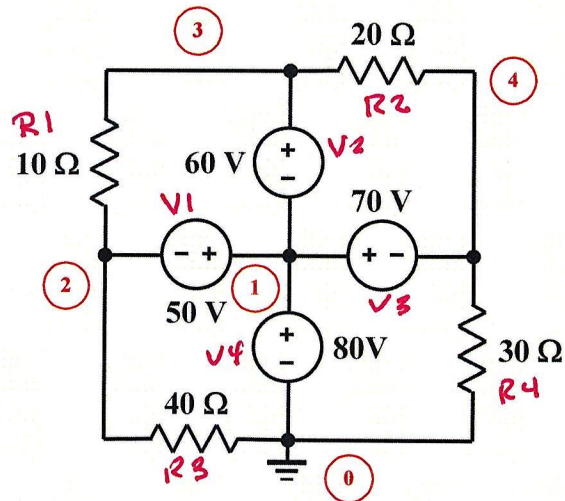


EE 2240  
Homework Problem #056

Use LTspice to determine the value of each node voltage.



Submit a printed copy of your netlist and a printed copy of your output. Highlight the required results.

\* EE2240 Fall 2021 Homework Problem #056.cir

```
R1 3 2 10
V2 3 1 DC 60
R2 3 4 20
V1 1 2 DC 50
V3 1 4 DC 70
V4 1 0 DC 80
R3 2 0 40
R4 4 0 30
.op
.end
```

```
--- Operating Point ---
V(3):      140      voltage
V(2):      30       voltage
V(1):      80       voltage
V(4):      10       voltage
I(R4):     0.333333 device_current
I(R3):     0.75     device_current
I(R2):     6.5      device_current
I(R1):     11       device_current
I(V4):    -1.08333 device_current
I(V3):    -6.16667 device_current
I(V1):    -10.25   device_current
I(V2):    -17.5    device_current
```

*node voltages*