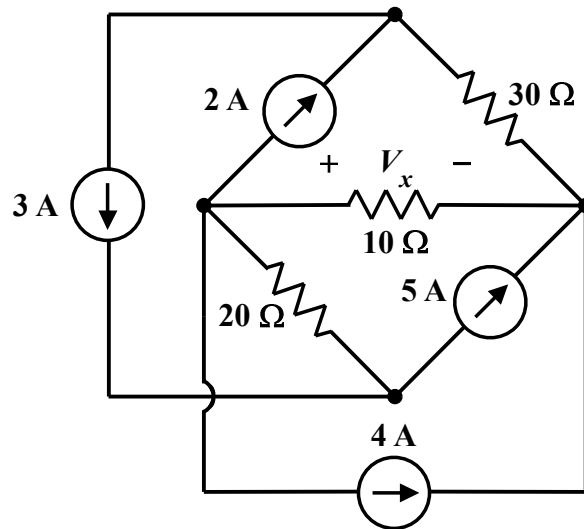


EE 2240  
**Homework Problem #057**

Use LTspice to determine the value of  $V_x$ .



Submit a printed copy of your netlist and a printed copy of your output. Highlight the required result.