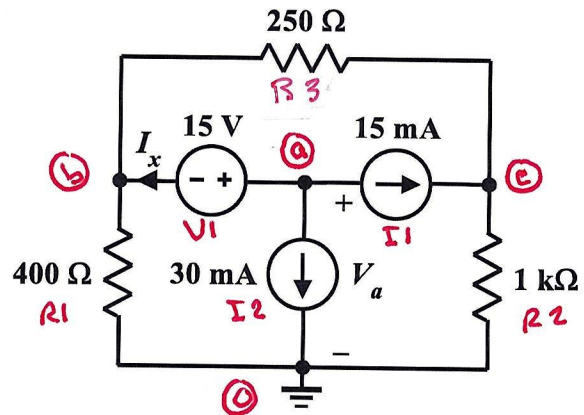


EE 2240
Homework Problem #058

Use LTspice to determine V_a and I_x .



Submit a printed copy of your netlist and a printed copy of your output. Highlight the required results.

EE2240 Fall 2021 Homework Problem #058.cir

```
R3      b      c      250
V1      a      b      DC    15
I1      a      c      DC    15m
R1      b      0      400
I2      a      0      DC    30m
R2      c      0      1k
,op
.end
```

```
--- Operating Point ---
V(b) :      -10      voltage
V(c) :      -5      voltage
V(a) :      5      voltage ←  $V_a$ 
I(I2) :      0.03    device_current
I(I1) :      0.015   device_current
I(R2) :     -0.005   device_current
I(R1) :     -0.025   device_current
I(R3) :     -0.02    device_current
I(V1) :     -0.045   device_current ←  $I_x$ 
```