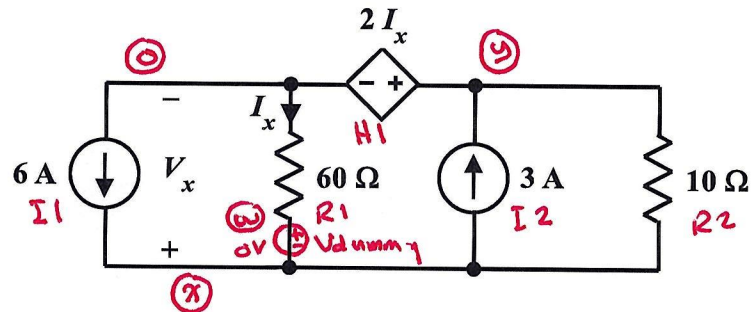


Homework Problem #061

Use LTspice to determine the value of V_x .



Submit a printed copy of your netlist and a printed copy of your output. Highlight the required result.

EE2240 Fall 2021 Homework Problem #061.cir

```
I1 0 x DC 6
R1 0 w 60
Vdummy w x DC 0
H1 y 0 Vdummy 2
I2 x y DC 3
R2 y x 10
.op
.end
```

```
--- Operating Point ---
V(x) :          25          voltage ←  $V_x$ 
V(w) :          25          voltage
V(y) :        -0.833333    voltage
I(H1) :         5.58333    device_current
I(I2) :          3         device_current
I(I1) :          6         device_current
I(R2) :        -2.58333    device_current
I(R1) :        -0.416667   device_current
I(Vdummy) :     -0.416667   device_current
```