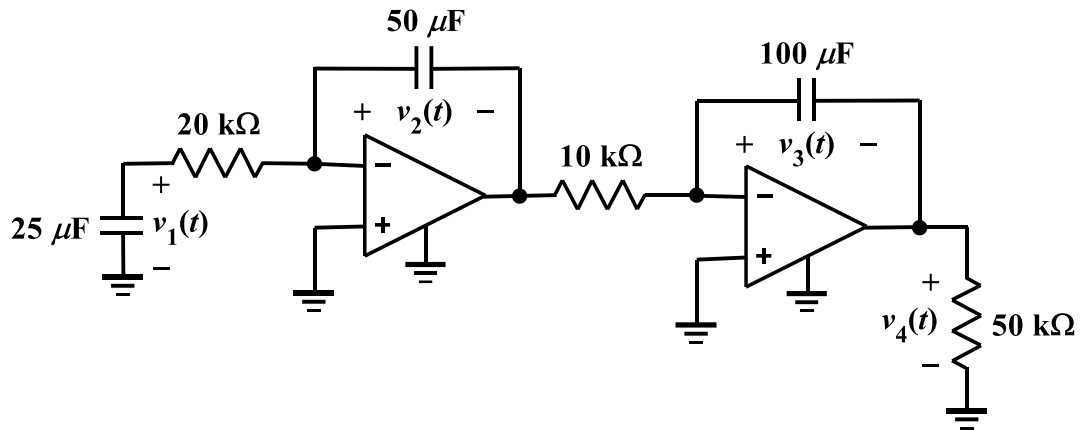


EE 2240
Homework Problem #068



The operational amplifiers are ideal. If $v_1(0) = 20\text{ V}$, $v_2(0) = -10\text{ V}$ and $v_3(0) = -5\text{ V}$, determine $v_4(t)$ for $t \geq 0$.