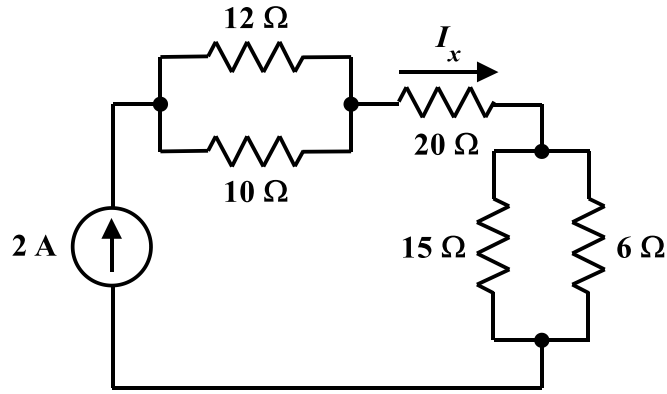


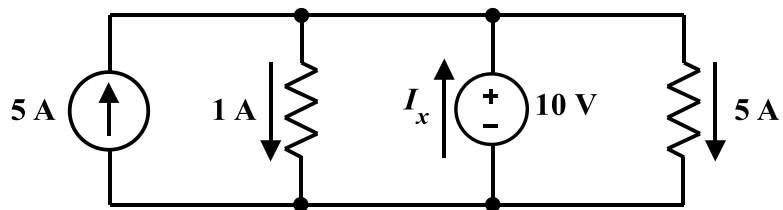
EE/EET 2240  
**Homework Problem #002**

Find  $I_x$  in each circuit.

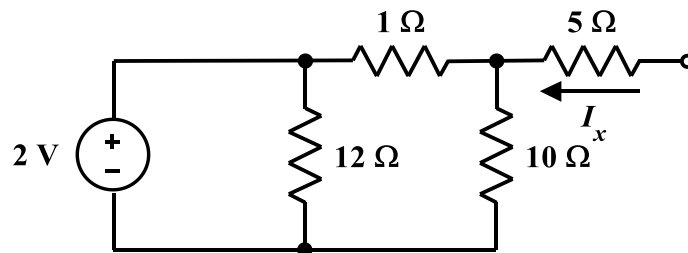
a.



b.



c.



d.

