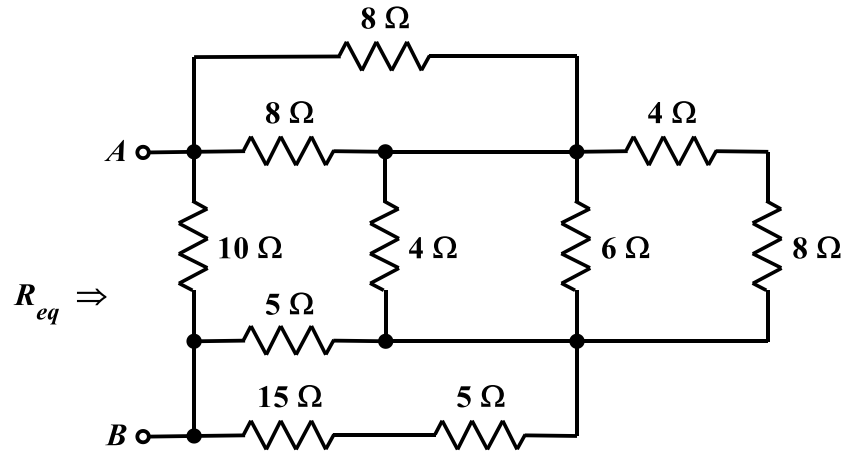


EE/EET 2240
Homework Problem #007



Determine the value of R_{eq} , the equivalent resistance with respect to terminal pair A-B.