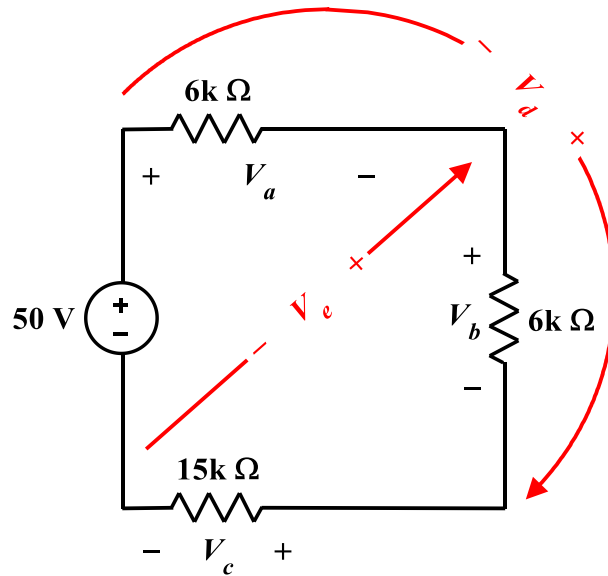


EE/EET 2240
Homework Problem #008



- Use the voltage divider equation to determine V_a .
- Use the voltage divider equation to determine V_b .
- Use the voltage divider equation to determine V_c .
- Determine the value of V_d .
- Determine the value of V_e .