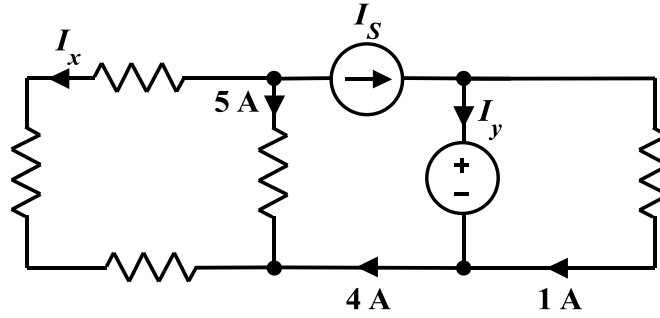


EE/EET 2240
Homework Problem #01

For the circuit shown below:



- How many nodes does the circuit have?
- How many branches (components) make up the circuit?
- Determine the value of I_x .
- Determine the value of I_y .
- Determine the value of I_S .