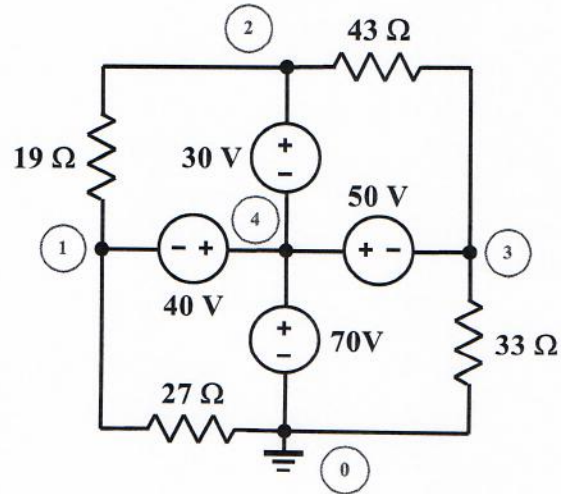


Homework Problem #014

Determine the value of each of the four node voltages using any method of your choosing.



By inspection:

$$V_1 = -40 + 70 = 30 \text{ V}$$

$$V_2 = 30 + 70 = 100 \text{ V}$$

$$V_3 = -50 + 70 = 20 \text{ V}$$

$$V_4 = 70 \text{ V}$$