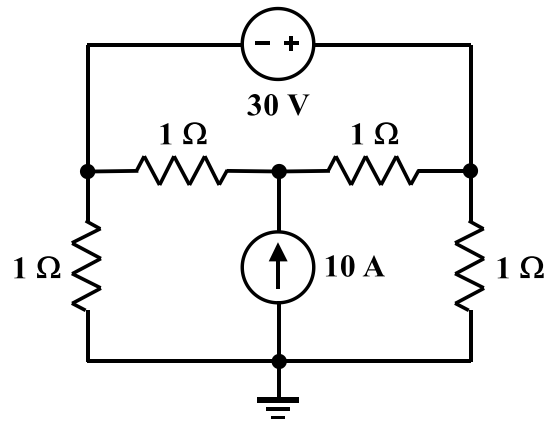


EE/EET 2240
Homework Problem #018



- Express mesh equations in the matrix form discussed in class.
- Solve the equations.
- Is the 30 V source *delivering power* or *absorbing power*? How much?