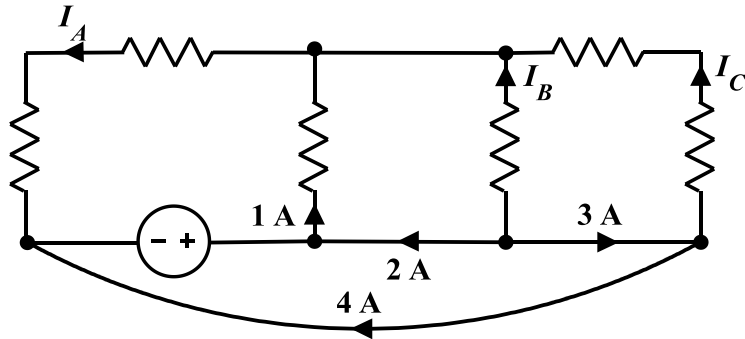


EE/EET 2240
Homework Problem #02

For the circuit shown below:



- How many nodes does the circuit have?
- How many branches (components) make up the circuit?
- Determine the value of I_A .
- Determine the value of I_B .
- Determine the value of I_C .