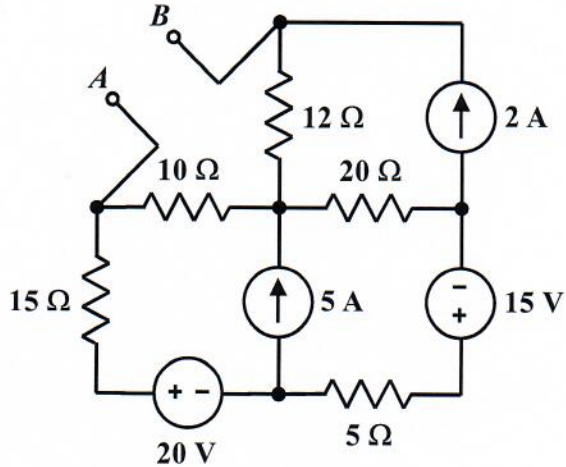
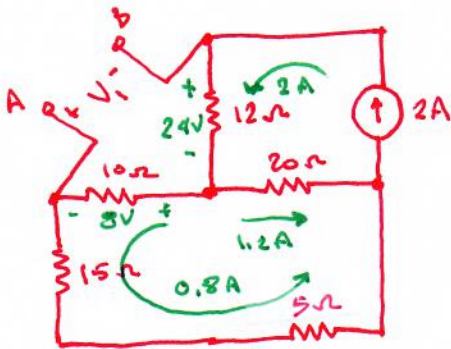


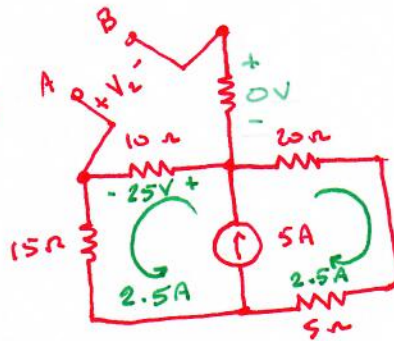
Homework Problem #023



Use the superposition method to determine the value of V_{AB} .



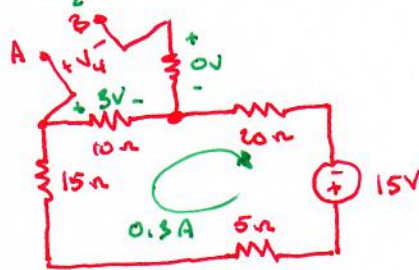
$$V_1 = -3 - 24 = -32V$$



$$V_2 = -25 - 0 = -25V$$



$$V_3 = 4 - 0 = 4V$$



$$V_4 = 3 - 0 = 3V$$

$$\begin{aligned} V_{AB} &= V_1 + V_2 + V_3 + V_4 \\ &= -32 - 25 + 4 + 3 \\ &= -50V \end{aligned}$$