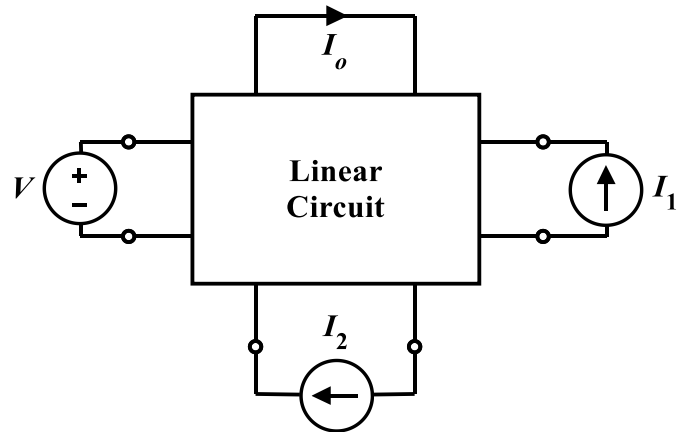


EE/EET 2240  
Homework Problem #024



$I_o = 20\text{mA}$  when  $V = 2\text{V}$ ,  $I_1 = 0\text{A}$  and  $I_2 = 2\text{A}$ .

$I_o = 30\text{mA}$  when  $V = 5\text{V}$ ,  $I_1 = 2\text{A}$  and  $I_2 = 1\text{A}$ .

$I_o = 50\text{mA}$  when  $V = 6\text{V}$ ,  $I_1 = 3\text{A}$  and  $I_2 = 5\text{A}$ .

What will  $I_o$  be when  $V = 4\text{V}$ ,  $I_1 = 1\text{A}$  and  $I_2 = 3\text{A}$ ?