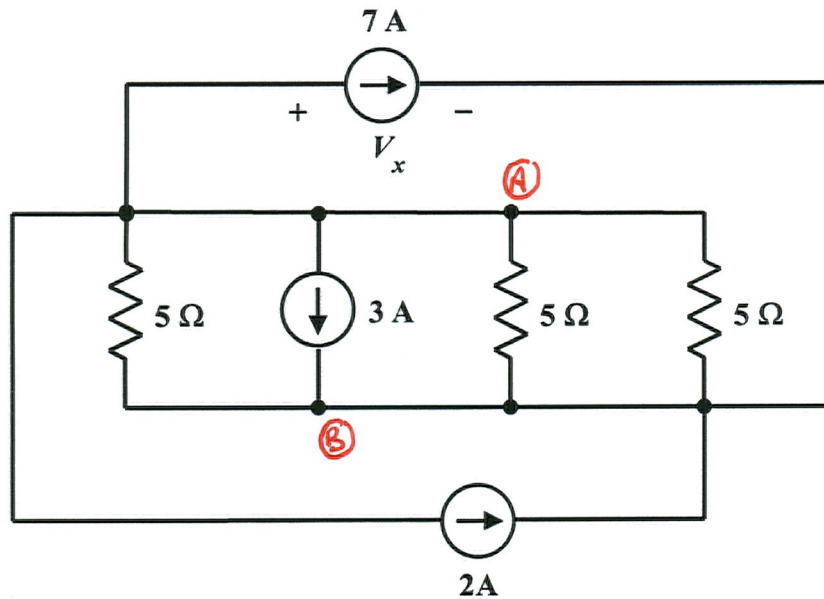
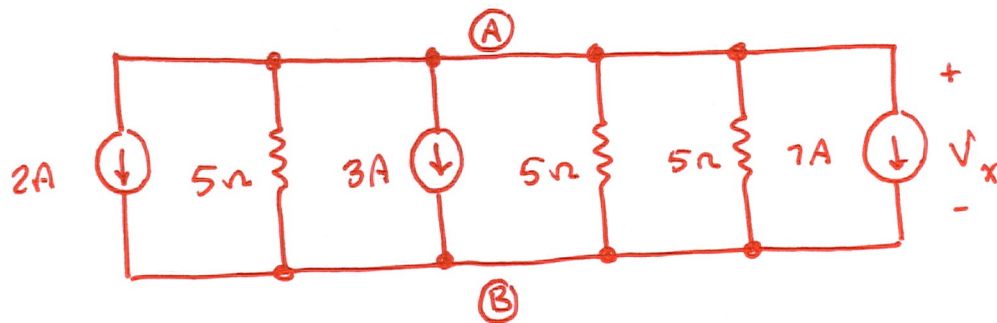


EE/EET 2240  
**Homework Problem #027**

Use any method to determine the value of  $V_x$ .



Redraw as



$$2A \parallel 3A \parallel 7A = 12A$$

$$5\Omega \parallel 5\Omega \parallel 5\Omega = \frac{5}{3}\Omega$$

$$\therefore V_x = -(12A) \left( \frac{5}{3}\Omega \right) = -20V$$