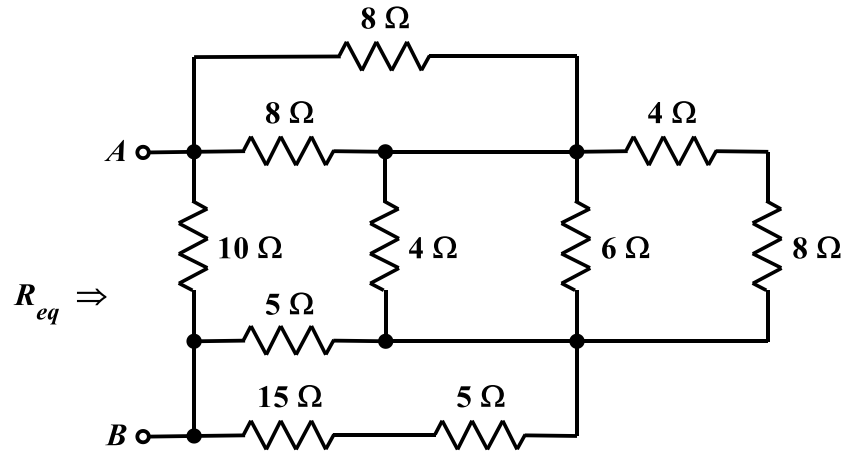


Homework Problem #07

Determine the value of R_{eq} , the equivalent resistance with respect to terminal pair A-B.