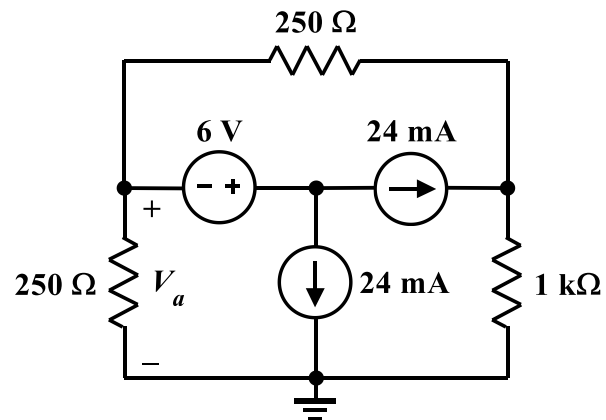


EE/EET 2240
Homework Problem #15



(a) Use the nodal analysis method to write nodal equations and express them in the matrix form discussed in class.

(b) Solve the equations to determine V_a .