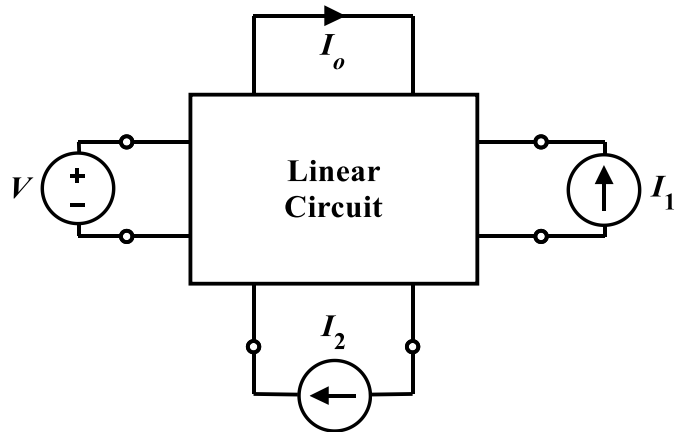


EE 2240
Homework Problem #24



$I_o = 20 \text{ mA}$ when $V = 2 \text{ V}$, $I_1 = 0 \text{ A}$ and $I_2 = 2 \text{ A}$.

$I_o = 30 \text{ mA}$ when $V = 5 \text{ V}$, $I_1 = 2 \text{ A}$ and $I_2 = 1 \text{ A}$.

$I_o = 50 \text{ mA}$ when $V = 6 \text{ V}$, $I_1 = 3 \text{ A}$ and $I_2 = 5 \text{ A}$.

What will I_o be when $V = 5 \text{ V}$, $I_1 = 8 \text{ A}$ and $I_2 = 4 \text{ A}$?