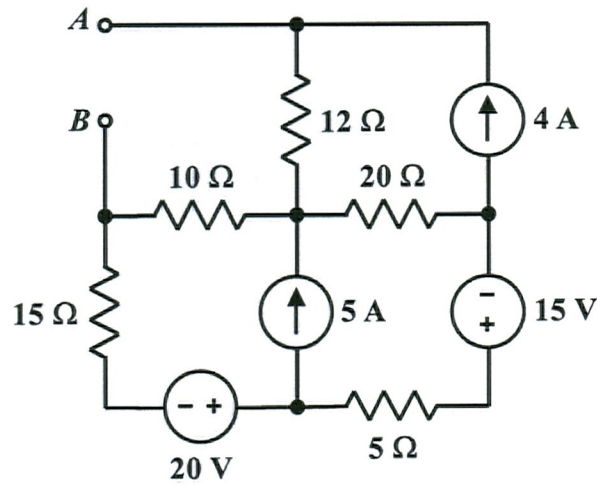
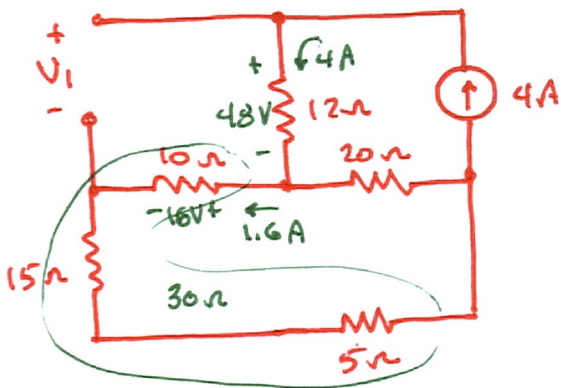


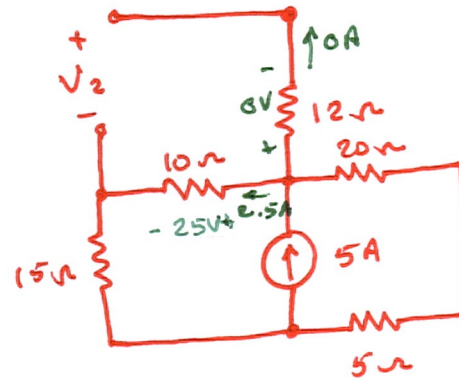
EE/EET 2240  
**Homework Problem #25**



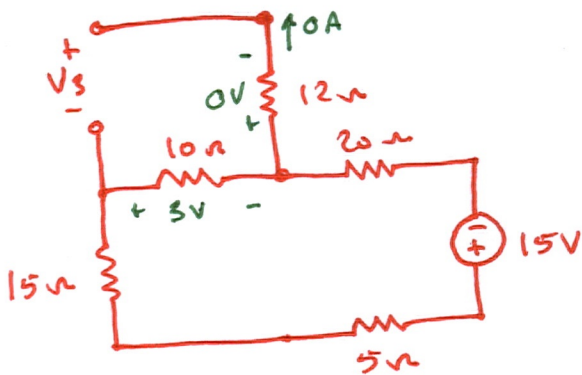
Use the superposition method to determine  $V_{AB}$ .



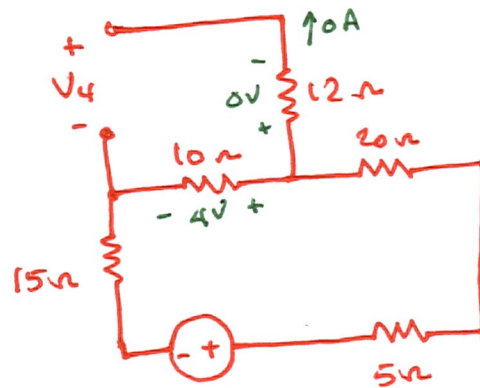
$$V_1 = 48 + 16 = 64V$$



$$V_2 = -0 + 25 = 25V$$



$$V_3 = -0 - 3 = -3V$$



$$V_4 = -0 + 4 = 4V$$

$$V_{AB} = V_1 + V_2 + V_3 + V_4 = 64 + 25 - 3 + 4 = 90V$$