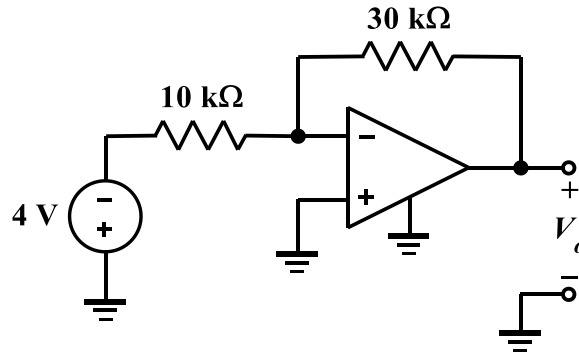


EE 2240
Homework Problem #34



The OpAmp is ideal. Determine:

(a) The value of V_o .

(b) The amount of power supplied by the independent voltage source.