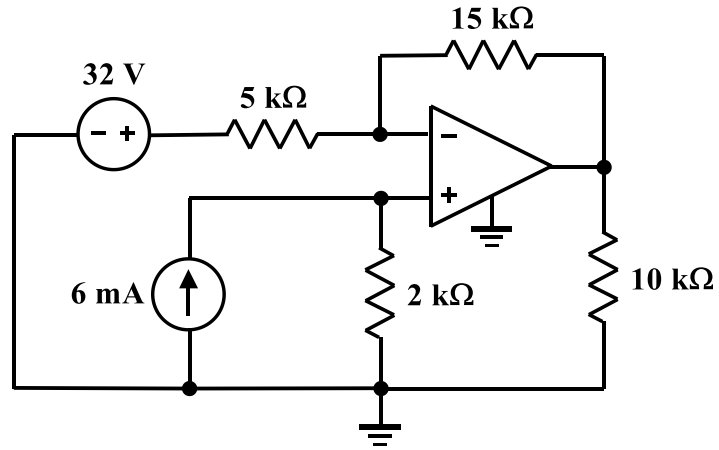


EE/EET 2240  
**Homework Problem #35**



The OpAmp is ideal. Determine the amount of power absorbed by the 10 kΩ resistor.