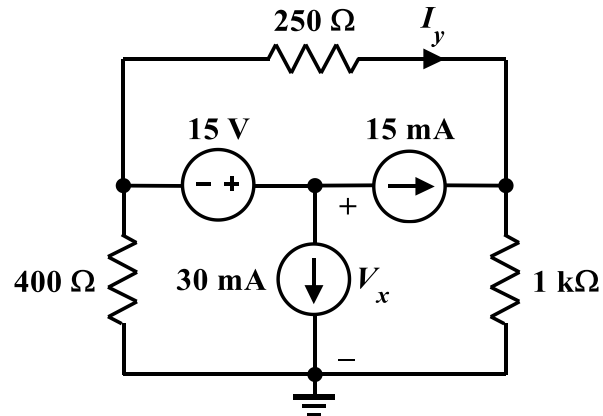


EE/EET 2240
Homework Problem #37

Use PSpice to determine V_x and I_y .



Submit a complete printed copy of your output file, and highlight the answers in some obvious manner. (Don't forget to put a personal identifier in the title line of your input circuit description file (also called the netlist).