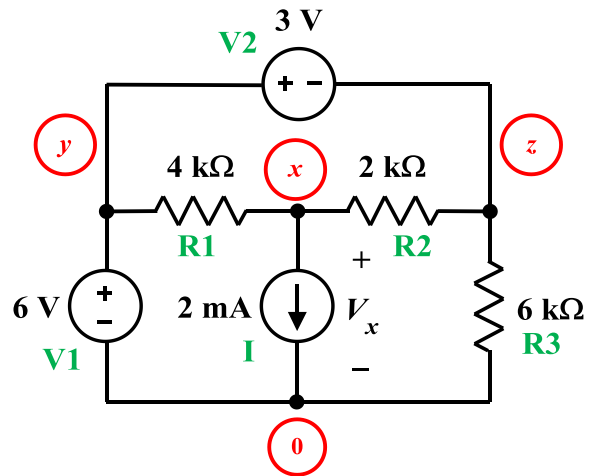


EE 2240
Problem #05



The incomplete text file shown below is intended to describe this circuit so that it can be analyzed with PSpice to determine the value of V_x . Fill in the missing parts.

Problem #05

```

V1    ___    ___    DC    6
V2    y      z      DC    ___
R1    y      ___    4k
R2    ___    z      ___
R3    z      ___    6k
I      ___    ___    DC    ___
.END

```