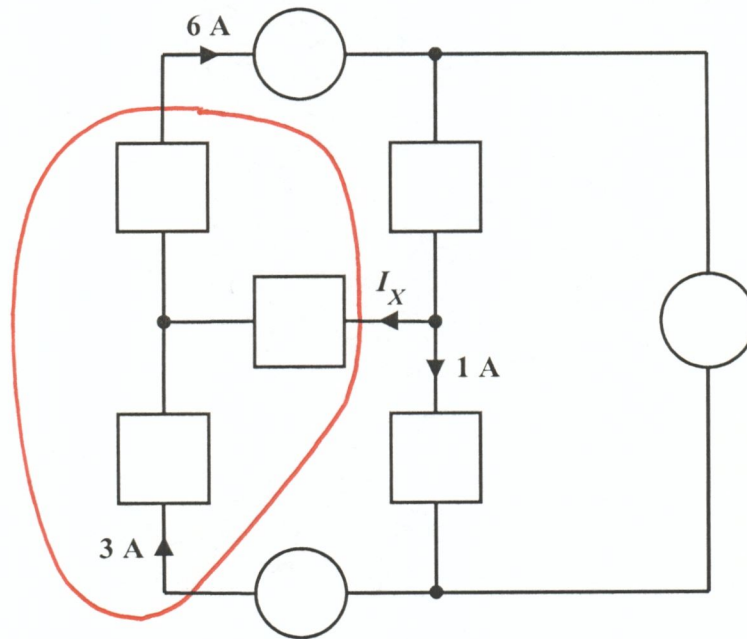


EE 2240
Problem #03

Determine the numerical value of I_x .



$$\text{KCL: } 3A - 6A + I_x = 0$$

$$\Rightarrow I_x = 3A$$