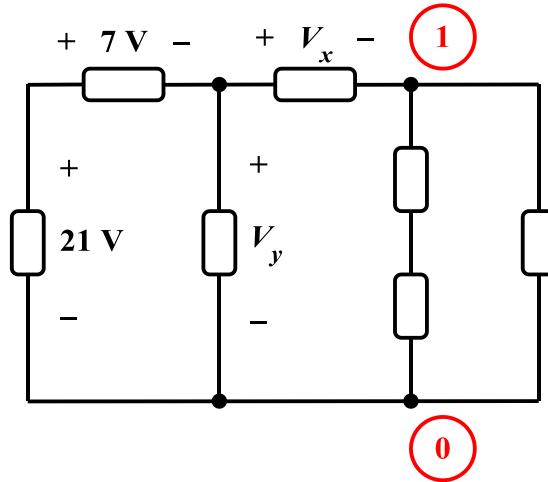


EE 2240
Problem #06

Given the circuit shown below, with $V_{10} = 5\text{ V}$:



- Determine the value of V_x .
- Determine the value of V_y .
- Determine the value of V_{01} .