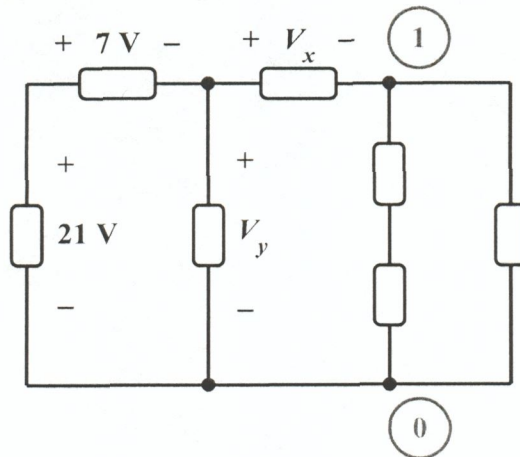


EE 2240  
Problem #06

Given the circuit shown below, with  $V_{10} = 5\text{ V}$ :



a. Determine the value of  $V_x$ .

$$\begin{aligned} V_x &= -7\text{V} + 21\text{V} + V_{01} \\ &= 14\text{V} - V_{10} = 14\text{V} - 5\text{V} = 9\text{V} \end{aligned}$$

b. Determine the value of  $V_y$ .

$$V_y = -7\text{V} + 21\text{V} = 14\text{V}$$

c. Determine the value of  $V_{01}$ .

$$V_{01} = -V_{10} = -5\text{V}$$