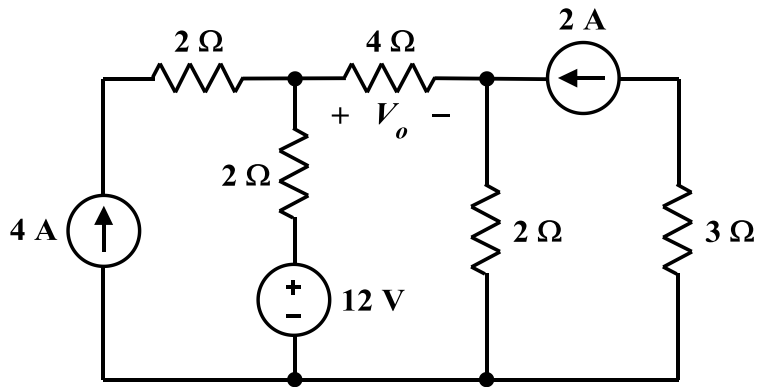


EE 2240
Problem #10



a. How many equations are necessary to analyze this circuit by the mesh analysis method?

Use the method discussed in class to:

b. Develop the mesh equations describing the circuit.

c. Write the mesh equations in the matrix form discussed in class.

d. Solve the equations.

e. Use the results of your mesh analysis to determine the value of V_o .