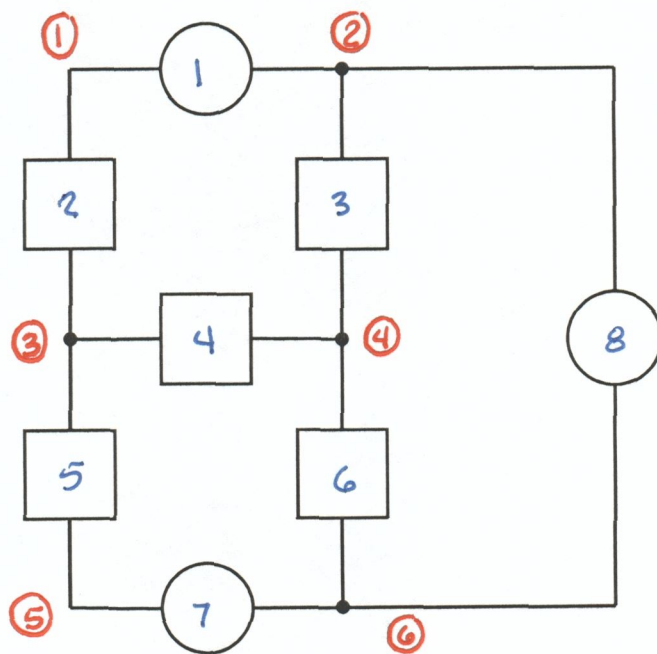


EE 2240  
Problem #03



Determine each of the following:

a. The number of nodes.

6

b. The number of branches.

8