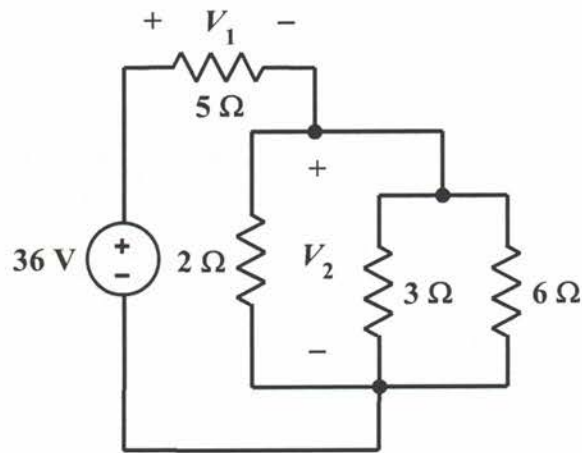


EE 2240
Problem #01



a. Determine the value of V_1 .

$$2\Omega \parallel 3\Omega \parallel 6\Omega = 1\Omega$$

$$V_1 = \frac{5\Omega}{5\Omega + 1\Omega} \cdot 36V = 30V$$

b. Determine the value of V_2 .

$$V_2 = \frac{1\Omega}{5\Omega + 1\Omega} \cdot 36V = 6V$$

$$\text{or } V_2 = 36V - V_1 = 6V$$