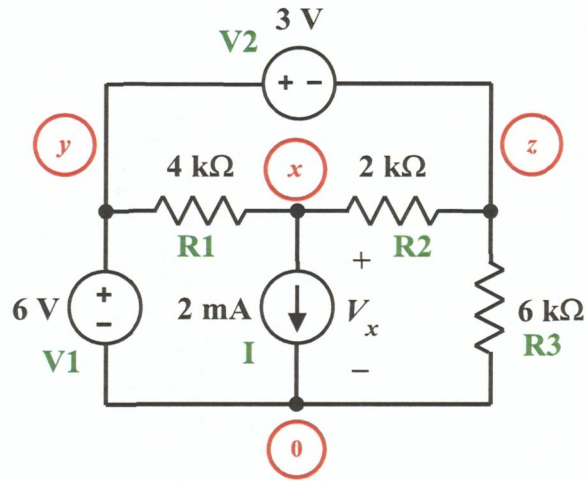


EE 2240
Problem #05



The incomplete text file shown below is intended to describe this circuit so that it can be analyzed with PSpice to determine the value of V_x . Fill in the missing parts.

Problem #05

```

V1   y    0   DC  6
V2   y    z   DC   3 
R1   y    x   4k
R2   x    z    2k 
R3   z    0   6k
I    x    0   DC   2m 
.END

```