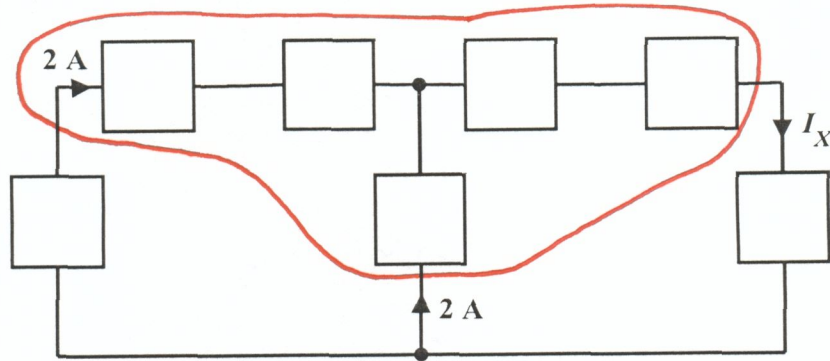


EE 2240
Problem #02

Determine the numerical value of I_X .



$$\text{KCL: } 2A + 2A - I_X = 0$$

$$\Rightarrow I_X = 4A$$