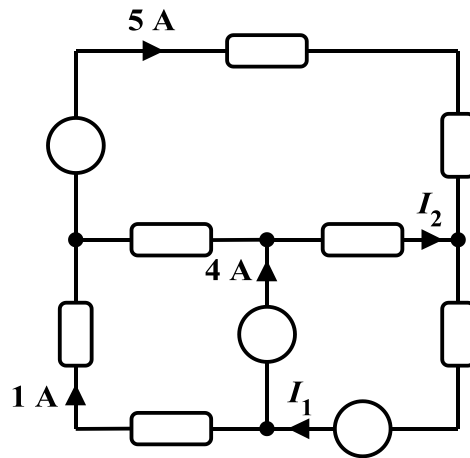


EE 2240
Problem #04

Given the circuit shown below:



a. Determine the value of I_1 .

b. Determine the value of I_2 .