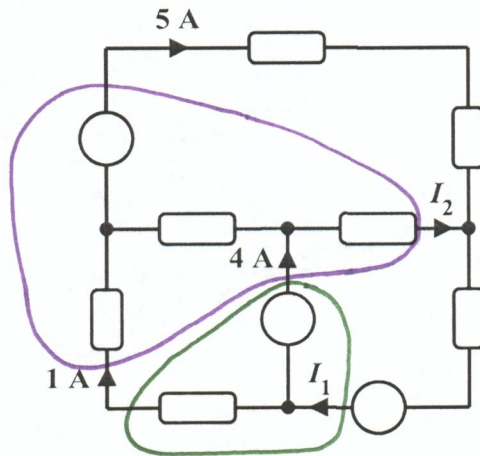


EE 2240
Problem #04

Given the circuit shown below:



a. Determine the value of I_1 .

$$\begin{aligned} \text{KCL: } I_1 - 1A - 4A &= 0 \\ \Rightarrow I_1 &= 5A \end{aligned}$$

b. Determine the value of I_2 .

$$\begin{aligned} \text{KCL: } 1A + 4A - I_2 - 5A &= 0 \\ \Rightarrow I_2 &= 0A \end{aligned}$$