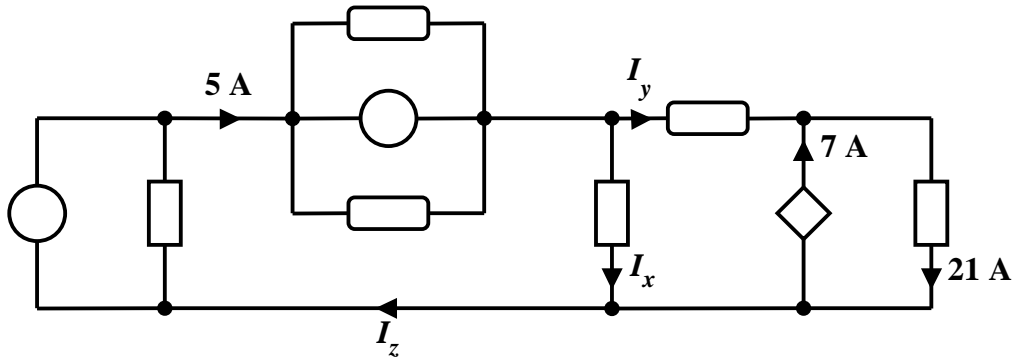


EE 2240  
Problem #07

Given the circuit shown below:



a. Determine the value of  $I_x$ .

b. Determine the value of  $I_y$ .

c. Determine the value of  $I_z$ .