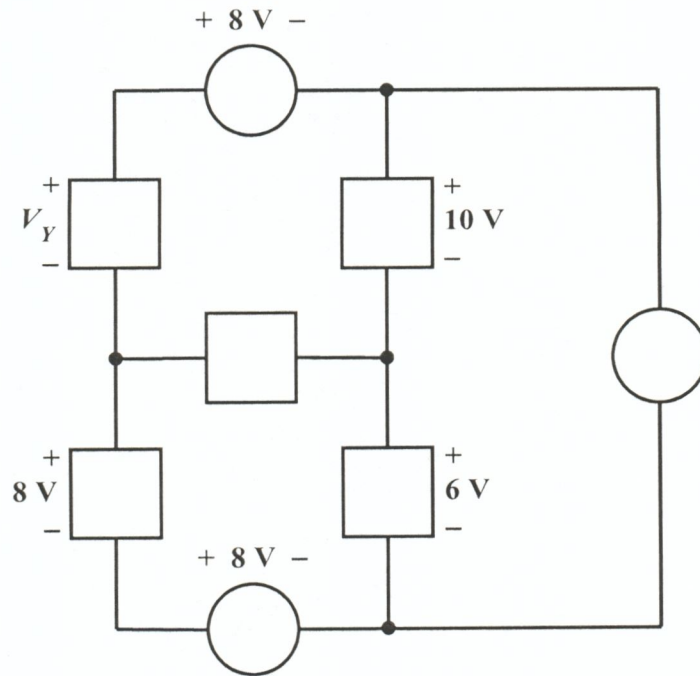


EE 2240
Problem #03

Determine the numerical value of V_Y .



$$\text{KVL: } -8V - V_Y + 8V + 10V + 6V - 8V = 0$$

$$\Rightarrow V_Y = 8V$$