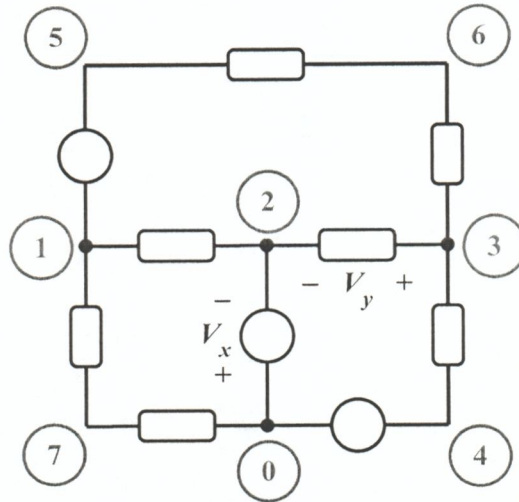


EE 2240
Problem #04

Given the circuit shown below, with $V_{10} = 2\text{V}$, $V_{20} = 4\text{V}$, $V_{30} = 7\text{V}$, $V_{40} = 11\text{V}$, $V_{50} = 16\text{V}$, $V_{60} = 22\text{V}$, and $V_{70} = 29\text{V}$:



a. Determine the value of V_x .

$$V_x = V_{02} = -V_{20} = -4\text{V}$$

b. Determine the value of V_y .

$$V_y = V_{30} - V_{20} = 7\text{V} - 4\text{V} = 3\text{V}$$