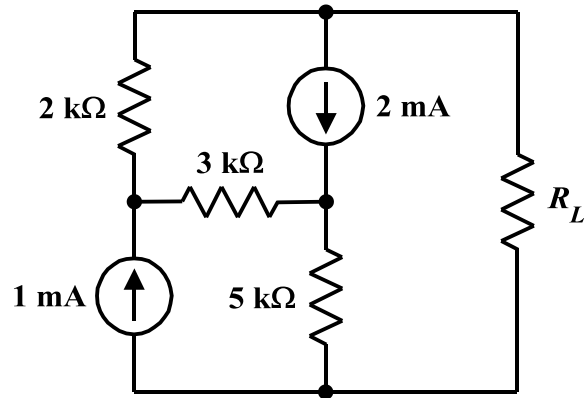


EE 2240
Problem #02

- a. Find the value of R_L for maximum power transfer.



- b. What is the maximum power that can be transferred?