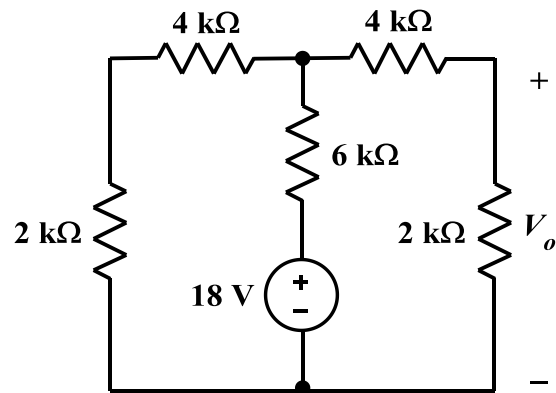


EE 2240
Problem #01



- a. How many equations are necessary to analyze this circuit by the mesh analysis method?

Use the method discussed in class to:

- b. Develop the mesh equations describing the circuit.

- c. Write the mesh equations in the matrix form discussed in class.

- d. Solve the mesh equations.

- e. Use Ohm's Law to determine the value of V_o .