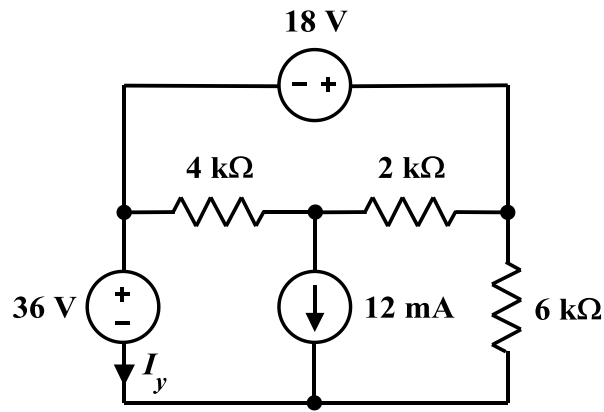


EE 2240
Problem #06



a. How many equations are necessary to analyze this circuit by the mesh analysis method?

Use the method discussed in class to:

b. Develop the mesh equations describing the circuit.

c. Write the mesh equations in the matrix form discussed in class.

d. Solve the node equations to determine the value of I_y .